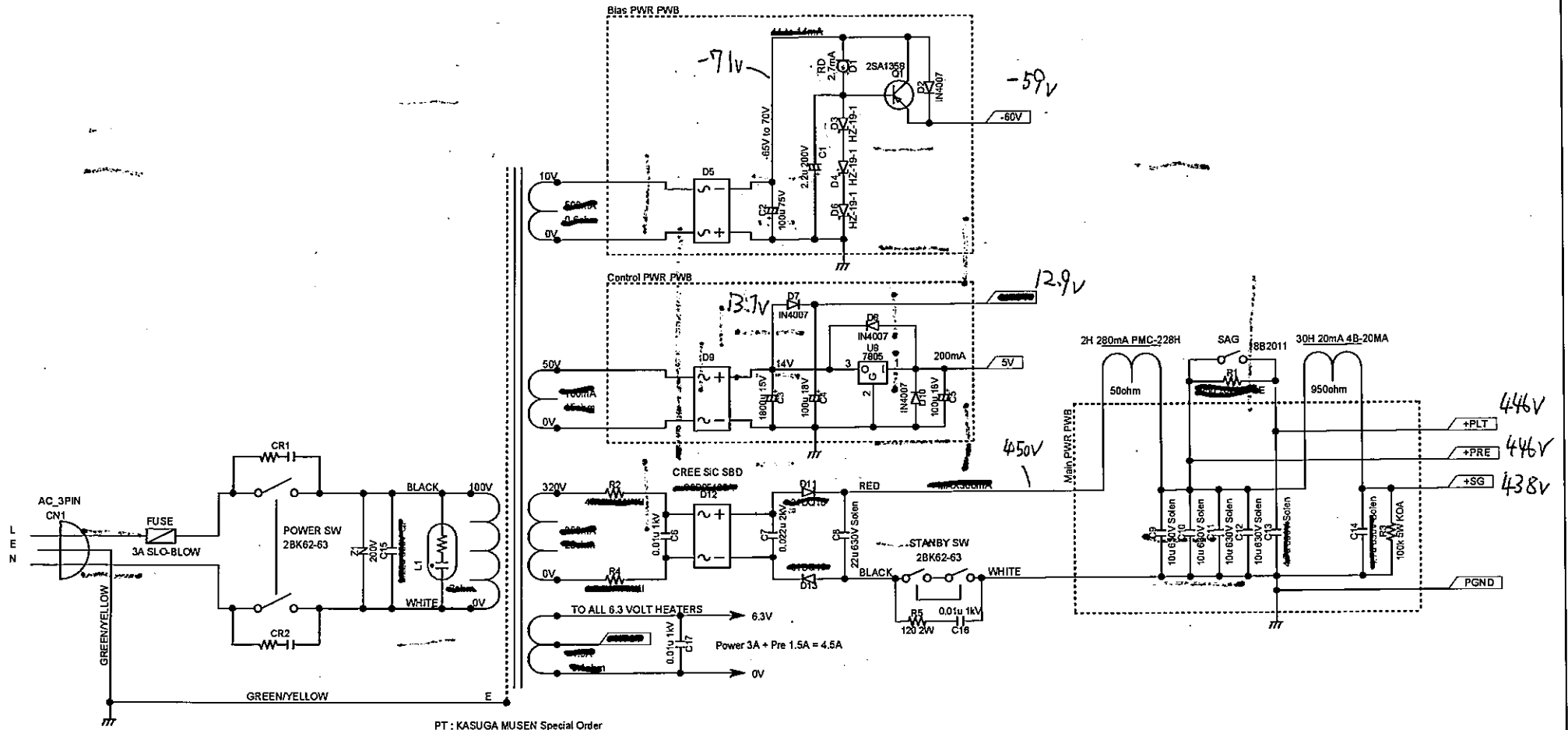


POWER SUPPLY



PT: KASUGA MUSEN Special Order

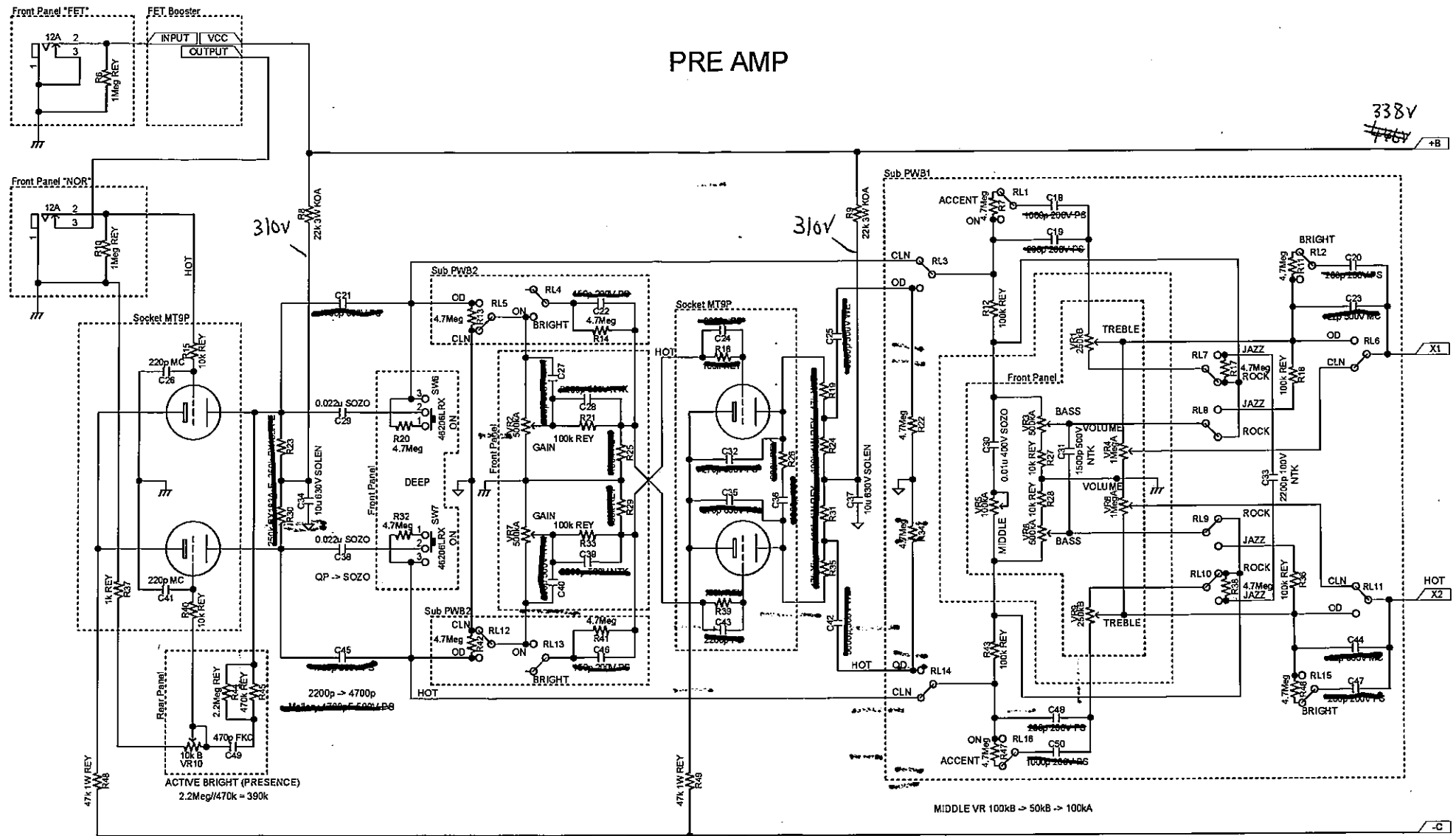
Ac: 104.6V

- 6.3 VOLT HEATERS
- 5881 900mA
 - 6L6GC 900mA
 - EL-34 1.5A
 - KT-66 1.3A
 - KT-68 1.6A
 - 12AX7 300mA
 - 5751 350mA

TITLE			DRAWING No.	
OVER DRIVE SPECIAL +SINGER 50			Rev.16	
SHEET	DATE	DESIGN	Chassis GND	PWB GND
1 / 5	110510	Y.Hosoy	⏏	⏏

PRE AMP

338V
~~178V~~ +B



SHALL CROSS OVER BY 100V 1/2W 250V
RESISTOR FIXED WIRE WOUND NON INDUCTIVE
50K 1% 0.5W

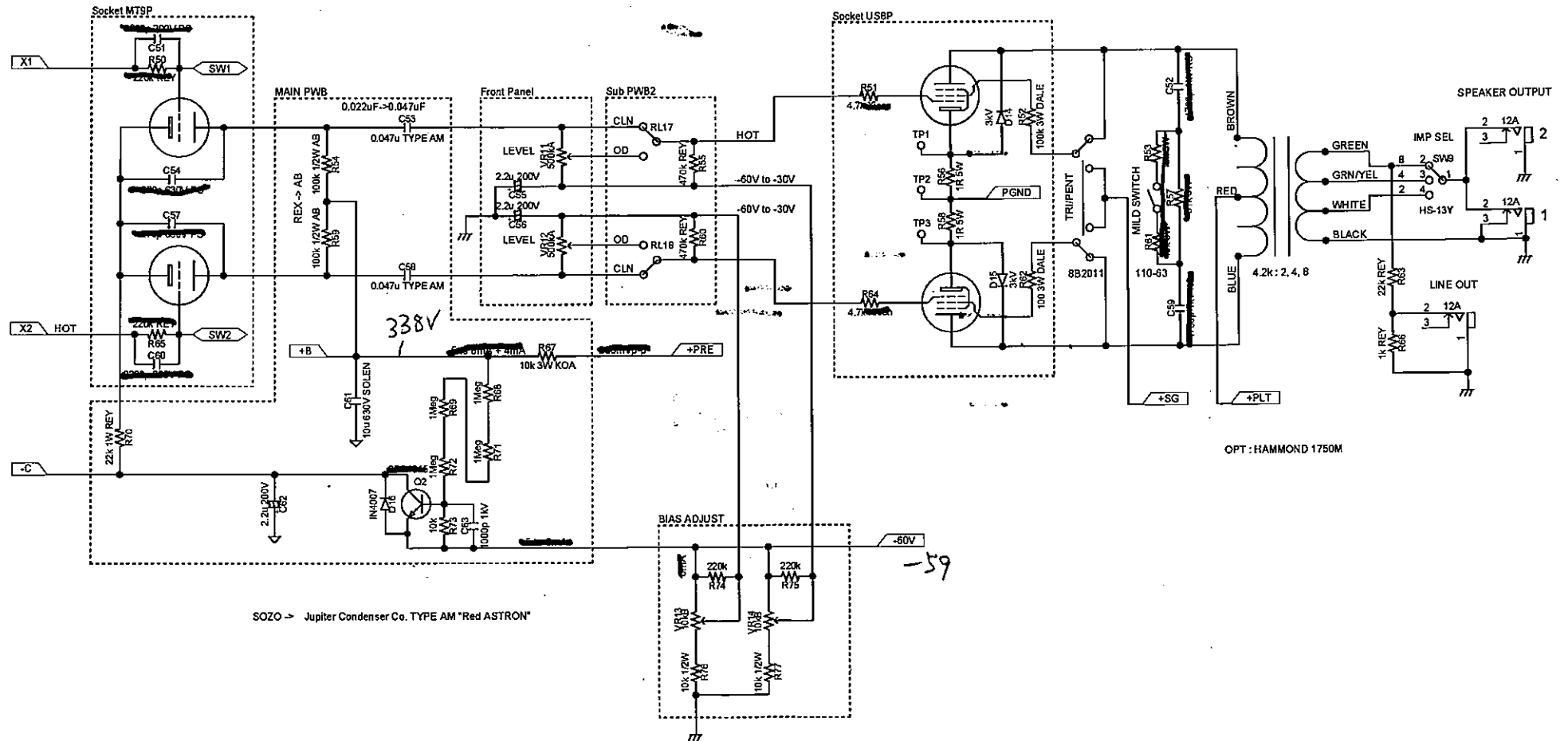
WESTERN ELECTRIC 100V 1/2W 250V
CAPACITOR PAPER MICA DIELECTRIC
5000PF 10% 30V

All components are mounted on the MAIN PWB, excluding enclosed by the dotted line.

TITLE		DRAWING No.	
OVER DRIVE SPECIAL +SINGER 50		Rev.16	
SHEET	DATE	DESIGN	Chassis GND PWB GND
2 / 5	110608	Y.Hosoya	///

59

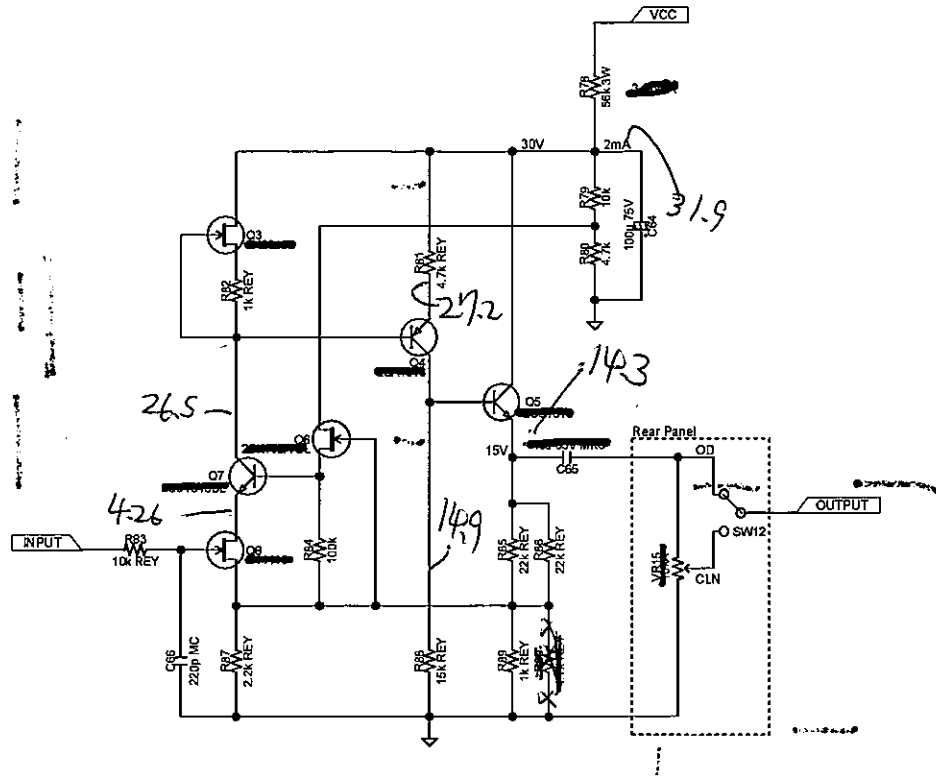
POWER AMP



SOZO → Jupiter Condenser Co. TYPE AM "Red ASTRON"

TITLE		DRAWING_No.	
OVER DRVE SPECIAL +SINGER 50		Rev.16	
SHEET	DATE	DESIGN	Chassis GND PWB GND
3 / 5	110510	Y.Hosoyay	⏏ ⏏

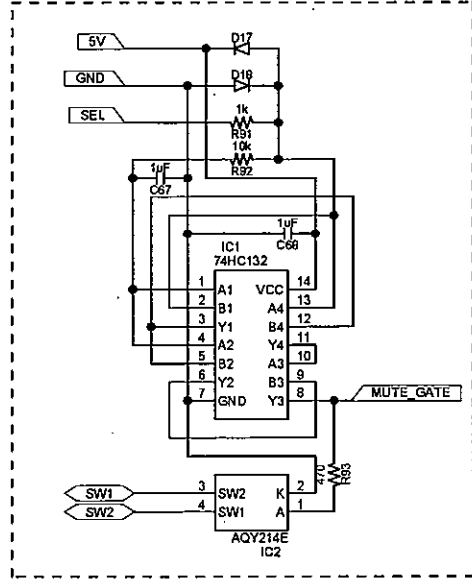
FET BOOSTER



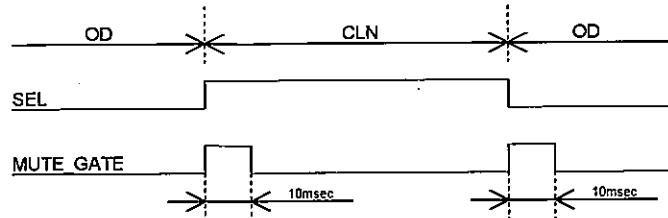
All components are mounted on the SUB PWB, excluding enclosed by the dotted line.

TITLE		DRAWING No.	
OVER DRIVE SPECIAL +SINGER 50		Rev.16	
SHEET	DATE	DESIGN	Chassis GND PWB GND
4 / 5	110608	Y.Hosoya	

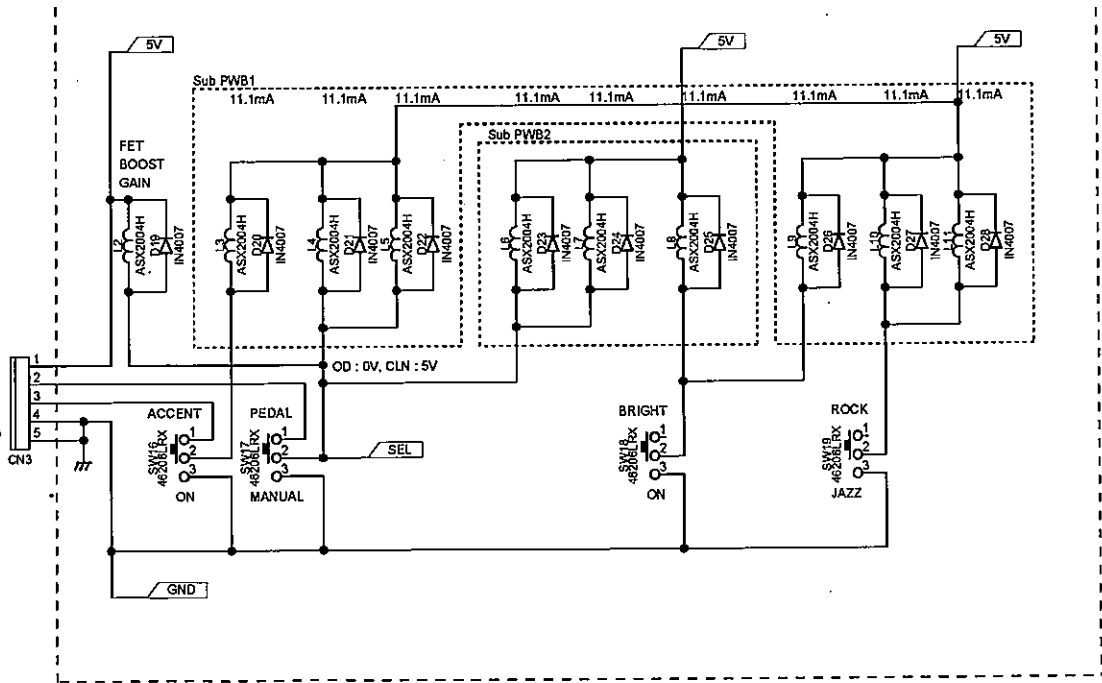
MUTE GATE



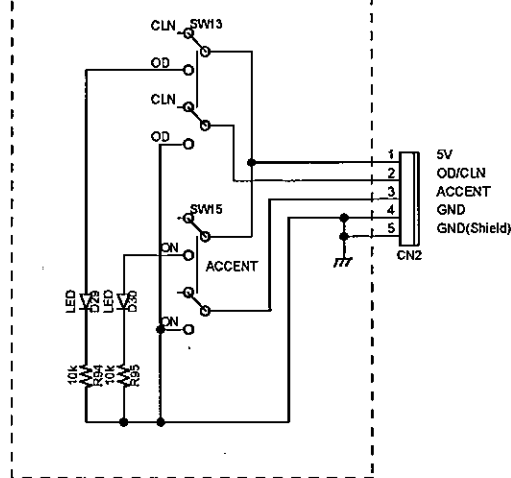
MUTE GATE Timing chart



RELAY SWITCHING LOGIC



FOOT SWITCH



TITLE		DRAWING No.	
OVER DRIVE SPECIAL +SINGER 50		Rev.16	
SHEET	DATE	DESIGN	Chassis GND PWB GND
5 / 5	110628	Y.Hosoya	<i>///</i>

pow	K	36.4 mV	35.6 mV
	SG	439 v	438 v
	G	-47.1 v	-47.9 v
	SG 1	439 v	438 v
	P 2	444 v	444 v

PRE		DR	OD	1st
	K	1.2 v	1.72 v	1.2 v
	P1	191 v	207 v	146 v
	P2	191 v	211 v	149 v